

Version	2.0	Date	5/14/20
Prepared By	JC		

PRODUCT SPECIFICATION

Category	Security Double Head Light
Item Number	7066
Stock Code	LED-FXBFD20/830/WH-SEN
Mounting	Wall
Housing Color	White



ELECTRICAL CHARACTERISTICS			
Rated Wattage (W)	20	Replacement Wattage (W)	180
Tested Wattage (W)	20		
Input Voltage (V)	120V	Surge Protect Level	1KV
Voltage Frequency (Hz)	50/60	Dimmable	-
Input Current (A)	0.2	AUX (12V) Line	-
Power Factor	>0.9	Photocell	Included
THD	<20%		

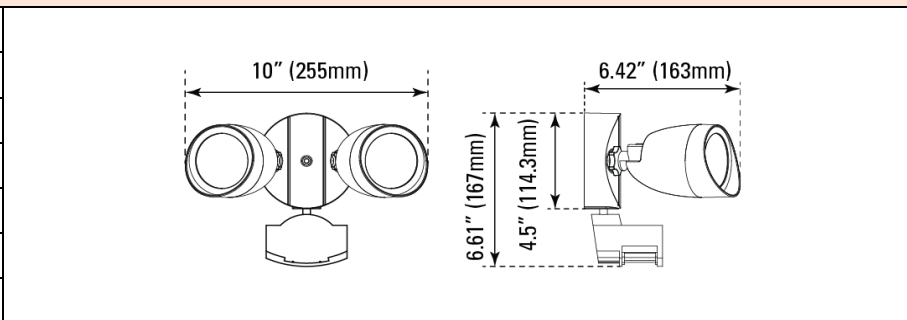
PHOTOMETRIC CHARACTERISTICS			
Lumen (lm)	1,400	CCT (K)	3000K
Efficacy (lm/w)	-	Beam Angle (°)	70°
CRI	>80		

GENERAL CHARACTERISTICS	
Operating Temperature (°F)	-4°F ~ 104°
Storage Temperature (°F)	-4°F ~ 122°
IP Rating	Wet Location
IK Rating	-
Rated Life (Hrs)	50,000
Warranty (Yrs)	5

ACCESSORIES		
Item #	Stock Code	Description

PRODUCT DIMENSIONS

Width- in / (mm)	10" / 255
Height- in / (mm)	6.61" / 167
Depth- in / (mm)	6.42" / 163
EPA (ft²)	-
Weight (lbs)	2.43
Mounting Height (ft)	-
Cable Length (ft)	-



CERTIFICATIONS			
UL/ETL	UL/cUL	CEC	
NSF/ETL Sanitation		JA8	
Energy Star	✓	FCC	✓
DLC		RoHs	✓

DOCUMENTS			
LM79	✓	IES File	✓
LM80	✓	Dimmer List	

COMMENTS

Motion Sensor Included